

DISCOVEROSITY™ play gym



OWNER'S MANUAL

© Skip Hop, Inc.
SKIP HOP and MUST-HAVES MADE BETTER are trademarks owned by Skip Hop, Inc. All rights reserved.
100 W 33 ST, STE 1125, NY, NY 10001
In the US: 888.782.9548
US warranty: www.skiphop.com
Patents: www.skiphop.com/patents



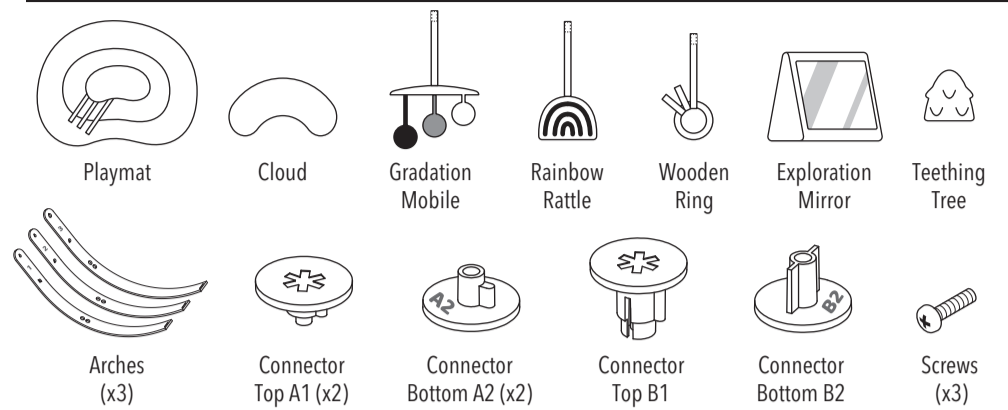
CLEANING AND CARE: **Wooden Arches:** Wipe clean with a slightly damp cloth. Wipe dry before storing. **Playmat, Pillow, Rainbow Toy:** Machine wash cold, gentle cycle. No bleach. Tumble dry low. Do not iron. Do not dry clean. **Mobile Toy, Wood Toy, Mirror Toy:** Spot clean only. Do not submerge in water. **Tree Toy:** Wipe clean with a damp cloth. Air dry before storing.

WARNING! The toy is to be assembled by an adult. The product contains potentially hazardous small parts in unassembled state. Please keep out of reach of children.

IMPORTANT! KEEP FOR FUTURE REFERENCE.

Read all instructions before assembly and use of the Play Gym.

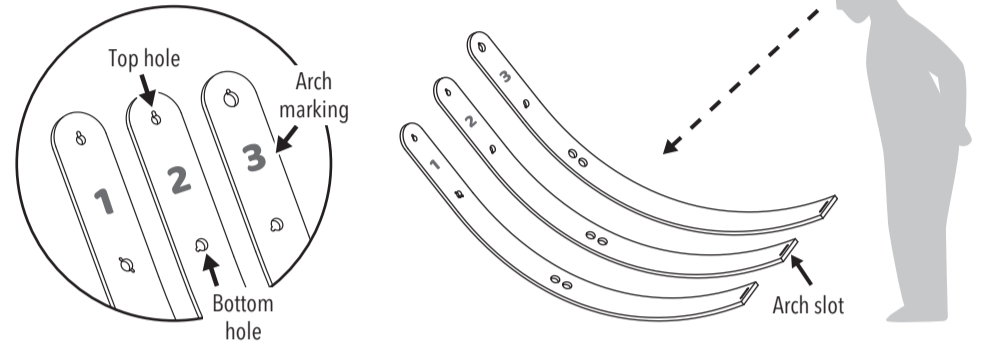
CONTENTS:



Phillips screwdriver required, not included.

SET UP:

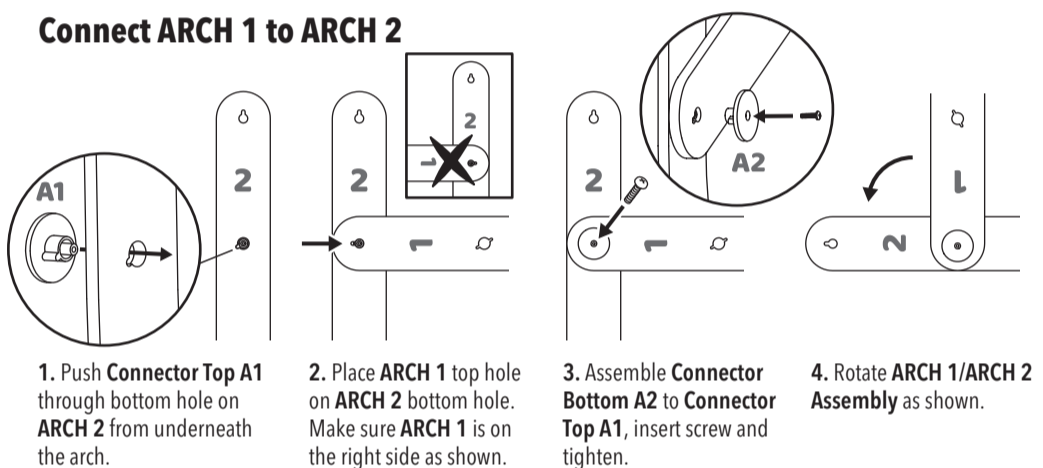
Before assembling the arches, lay them in front of you with the arch markings (1, 2, 3) facing up.



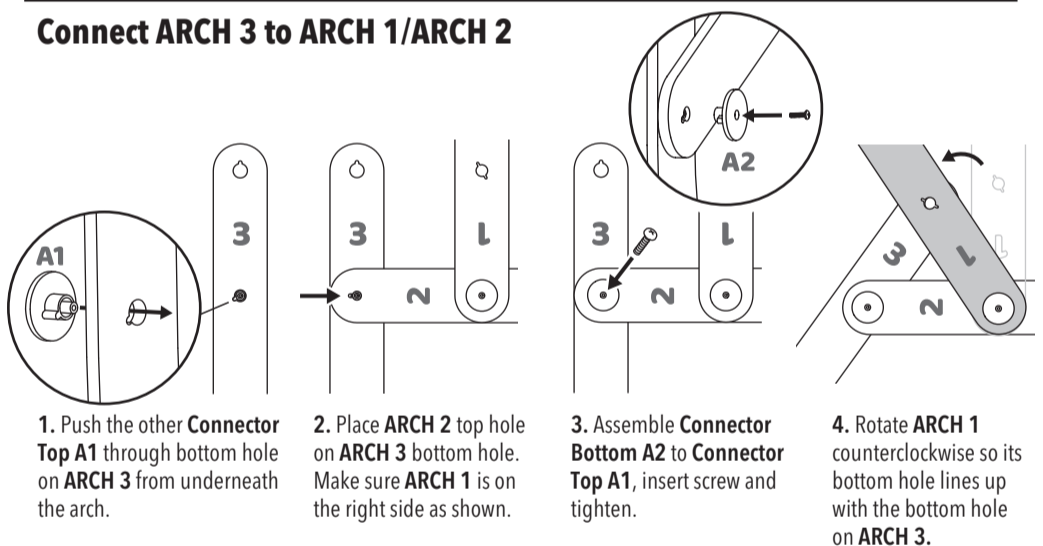
ASSEMBLY INSTRUCTIONS:

Adult assembly required.

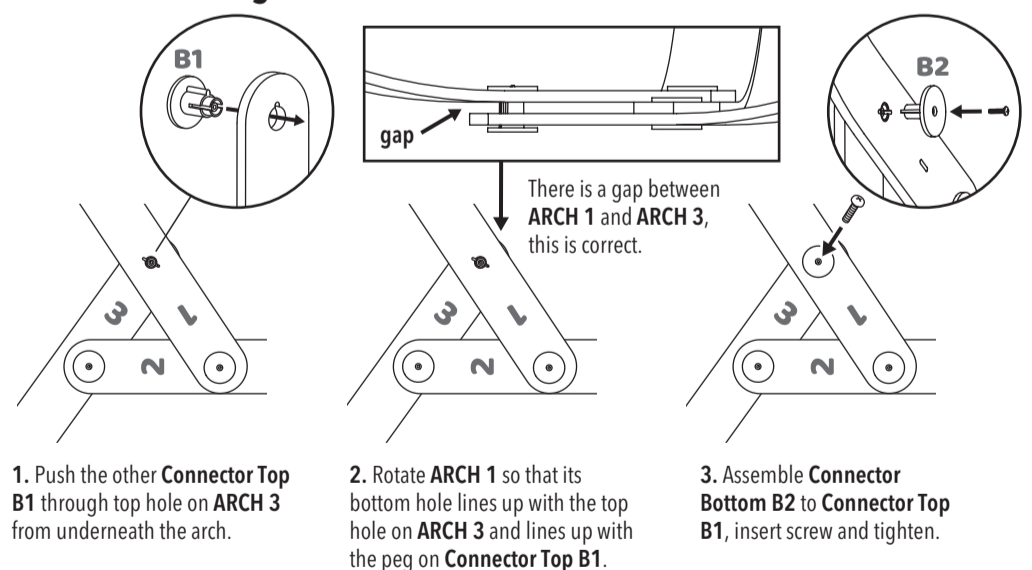
Connect ARCH 1 to ARCH 2



Connect ARCH 3 to ARCH 1/ARCH 2



Finish Assembling the ARCHES



Complete Assembly

1. Flip over the assembled arches and place on playmat. Insert webbing into each slot as shown.
2. Attach toys.

